



Cover 2:
Aaron Mink

Cover 3:
Crinkle Taupe

Cover 1:
Demetra Tan leather

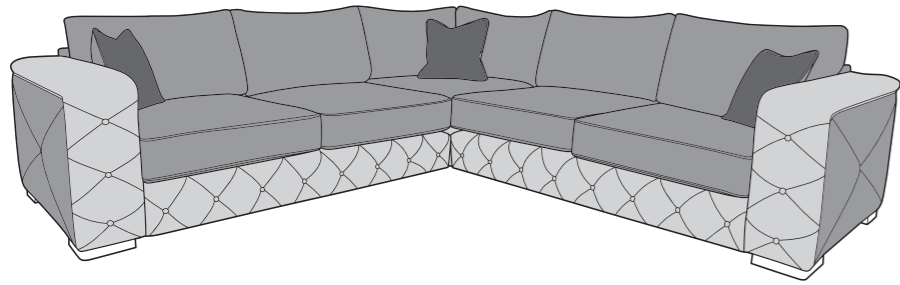
Antique feet

Monza Collection

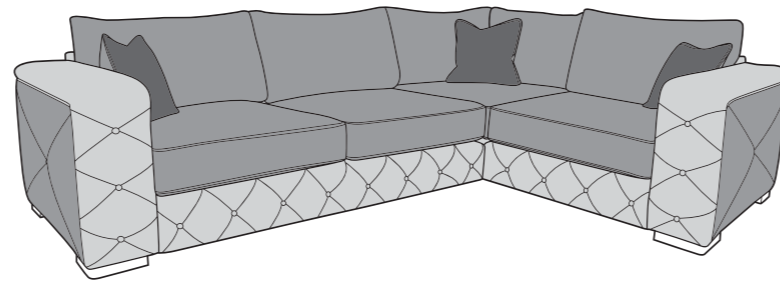
MONZA COVER GUIDE: STANDARD BACK ONLY

Please use this guide when ordering the following pieces to clarify cover options.

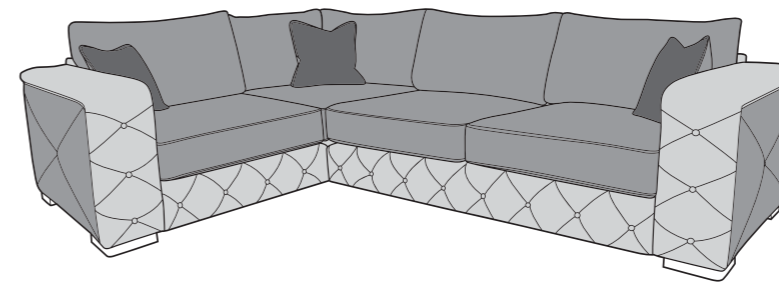
Corner Group: LH2, COR, RH2 (L2, CO, R2)



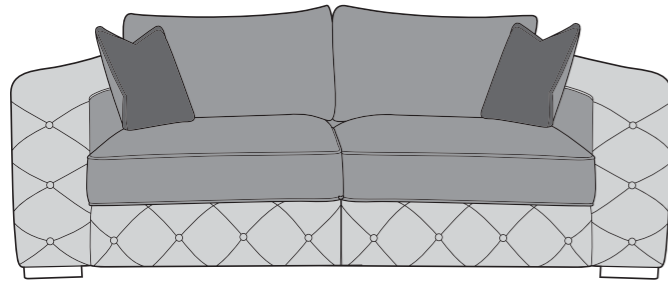
Corner Group: LH2, COR, RH1 (L2, CO, R1)



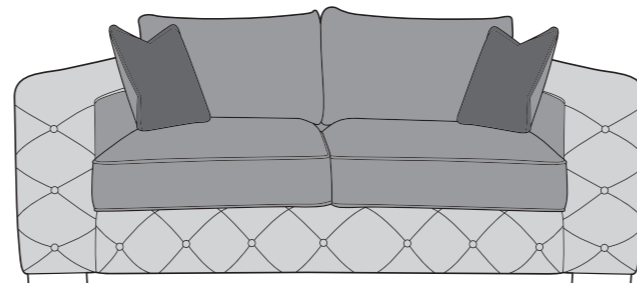
Corner Group: LH1, COR, RH2 (L1, CO, R2)



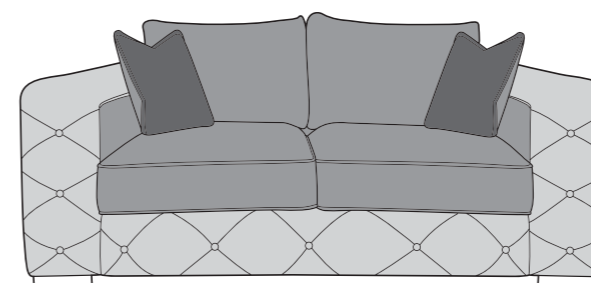
4 Seater Modular Sofa (4MD)



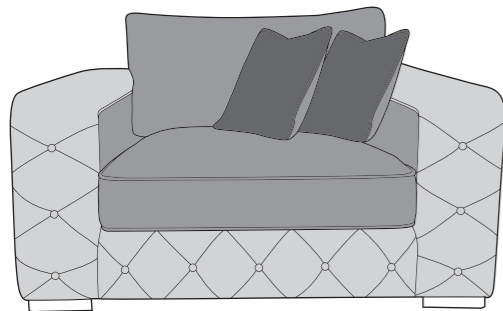
3 Seater Sofa (3ST)



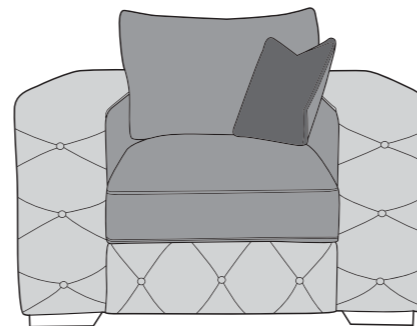
2 Seater Sofa (2ST)






Love Chair (LOV)

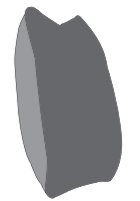


Arm Chair (1ST)



-  **COVER 1**
(LEATHER OUTER)
-  **COVER 2**
(FABRIC INNER)
-  **COVER 3**
(SCATTER)

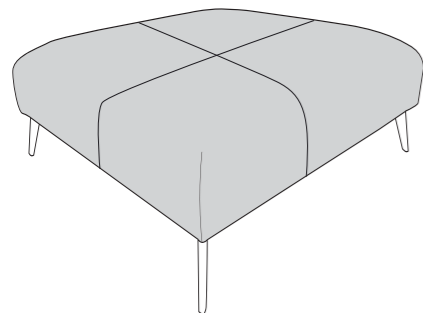
Scatter Cushions



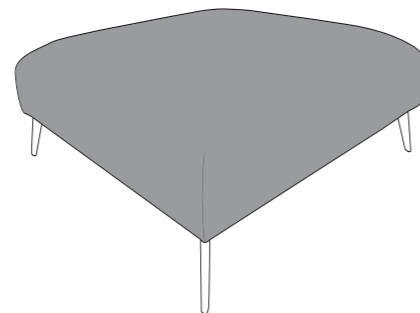
Flanged Edge
Front = Cover 3
Back = Cover 2

ACCENT PIECES

Santorini (Leather)
Large Footstool (FST)



Zander (Fabric)
Large Footstool (FST)



MONZA DIMENSIONS (CM)

AVAILABLE PIECES	HEIGHT 1	OUTBACK HEIGHT	WIDTH 2	DEPTH 3	ARM HEIGHT	SEAT HEIGHT 4	SEAT DEPTH 5	SEAT WIDTH 6	ACCESS DIAGONAL 7	WEIGHT (KG)	SCATTER CUSHION NO.
LH2, COR, RH2 GROUP	81	67	277	277	64	44	67	N/A	N/A	145	3
LH1, COR, RH2 GROUP or LH1, COR, RH2 GROUP	81	67	277	203	64	44	67	N/A	N/A	127.5	3
LH1, COR, RH1 GROUP	81	67	203	203	64	44	67	N/A	N/A	110	3
LH2/RH2 UNIT	81	67	178	99	64	44	67	157	202	56	1
LH1/RH1 UNIT	81	67	104	99	64	44	67	N/A	N/A	38.5	1
COR - CORNER UNIT	81	67	99	99	N/A	44	67	N/A	139	33	1
4 SEATER MODULAR SOFA (4MD)	81	67	227	99	64	44	67	N/A	N/A	82.5	2
3 SEATER SOFA (3ST)	81	67	199	99	64	44	67	152	222	77	2
2 SEATER SOFA (2ST)	81	67	179	99	64	44	67	133	203	66.5	2
LOVE CHAIR (LOV)	81	67	136	99	64	44	67	90	168	60.5	2
ARM CHAIR (1ST)	81	67	106	99	64	44	67	60	145	52.5	1
ACCENT PIECES											
SANTORINI LARGE FOOTSTOOL (FST)	36	N/A	102	102	N/A	N/A	N/A	N/A	N/A	21.5	N/A
ZANDER LARGE FOOTSTOOL (FST)	36	N/A	102	102	N/A	N/A	N/A	N/A	N/A	21.5	N/A



* Hardwood & composite board frame.

* Dowelled, screwed, glued & stapled joinery.

* Chrome & Wood foot options.

* Fibre filled reversible backs for added comfort.

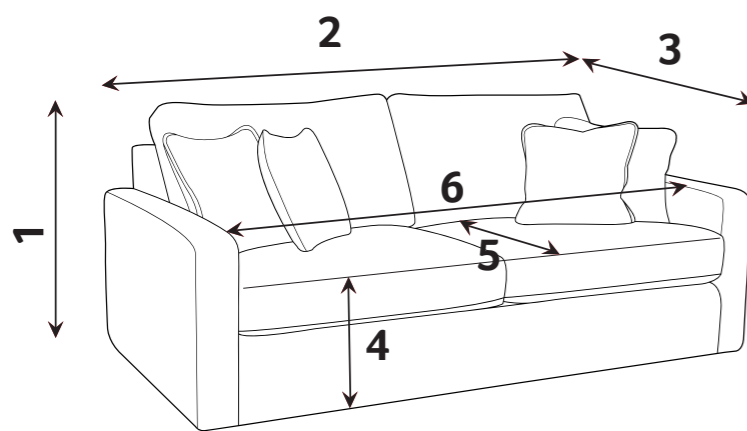
* Feather filled scatters included. 

* Award winning foamflex seat interior with 5 year guarantee.

* Serpentine seat springs & silent wire.

* Elasticated back webbing.

DIMENSION GUIDE



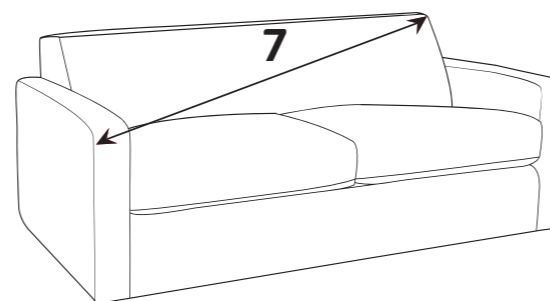
1 - HEIGHT
2 - WIDTH

3 - DEPTH
4 - SEAT HEIGHT

5 - SEAT DEPTH (STD & PILLOW)
6 - SEAT WIDTH

7 - DIAGONAL ACCESS

Check the diagonal access dimension to ensure furniture will fit in your home.



Illustrations used for reference only.

foamflex

Our new expertly engineered foam seat interior gives you the comfort of fibre with the retention of foam.

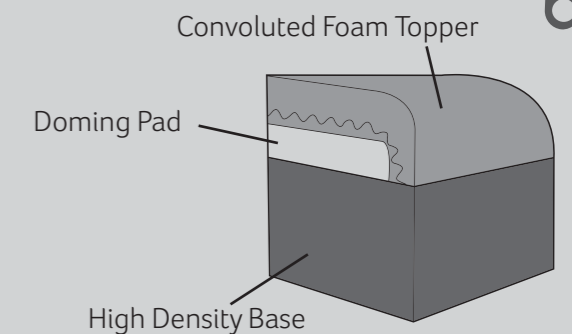
CARE GUIDE

To improve the longevity of your hand-made furniture, we recommend rotating cushions (where applicable).

For further information on maintaining your furniture, please refer to the Care Guide located under the seat platform.



Our foamflex seat interiors have been granted the FIRA GOLD Award, a mark of quality under-pinning all necessary testing of the product materials, design and production techniques.



Chrome

Mid Oak

Antique

FOOT OPTIONS:



Please note : All dimension are approximate. Allow tolerance of +/- 2.5cm.

17/03/2021